
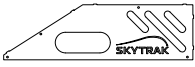
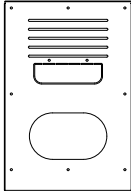
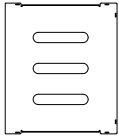
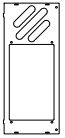






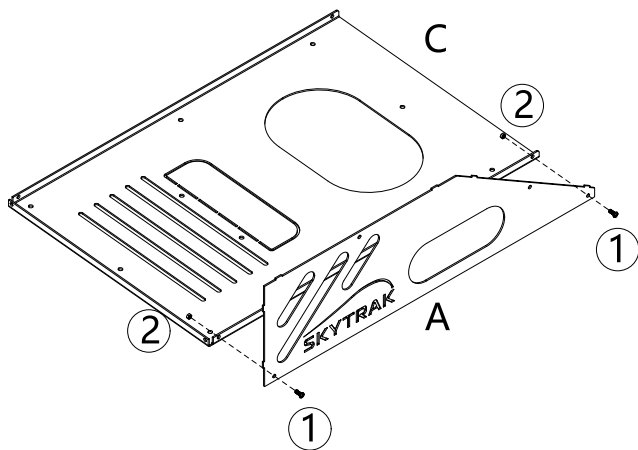
SKYTRAK™

PROJECTOR FLOOR MOUNT ASSEMBLY INSTRUCTIONS

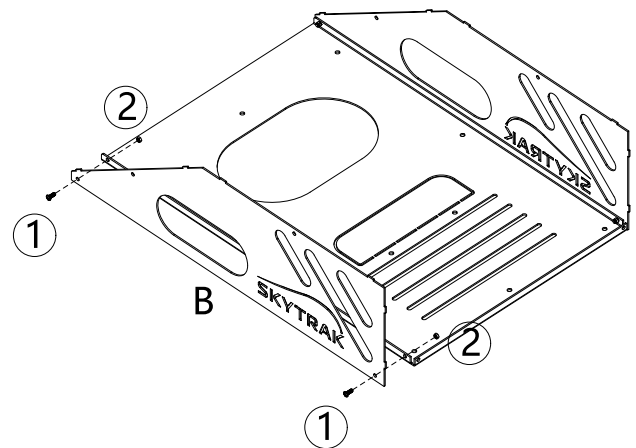
SKU# 2474009

A  x1	B  x1	C  x1	D  x1	E  x1
F  x1	G  x1	1  x14	2  x10	

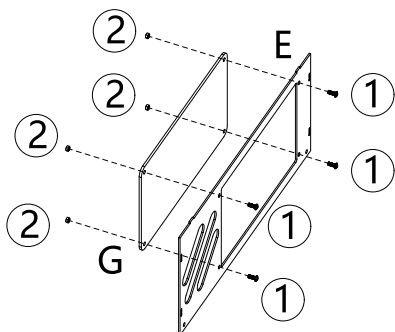
Step 1



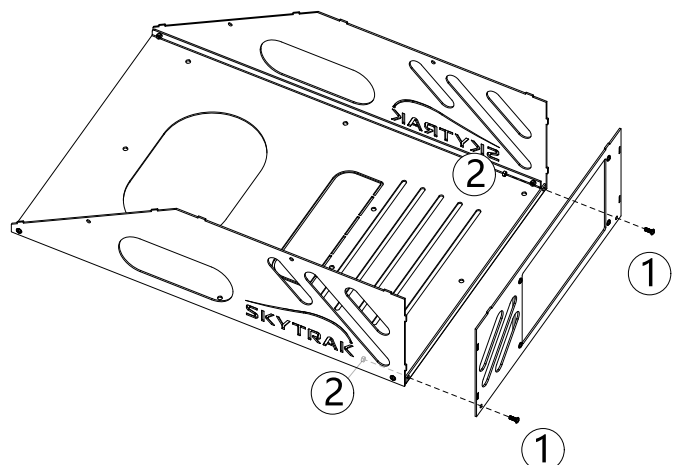
Step 2



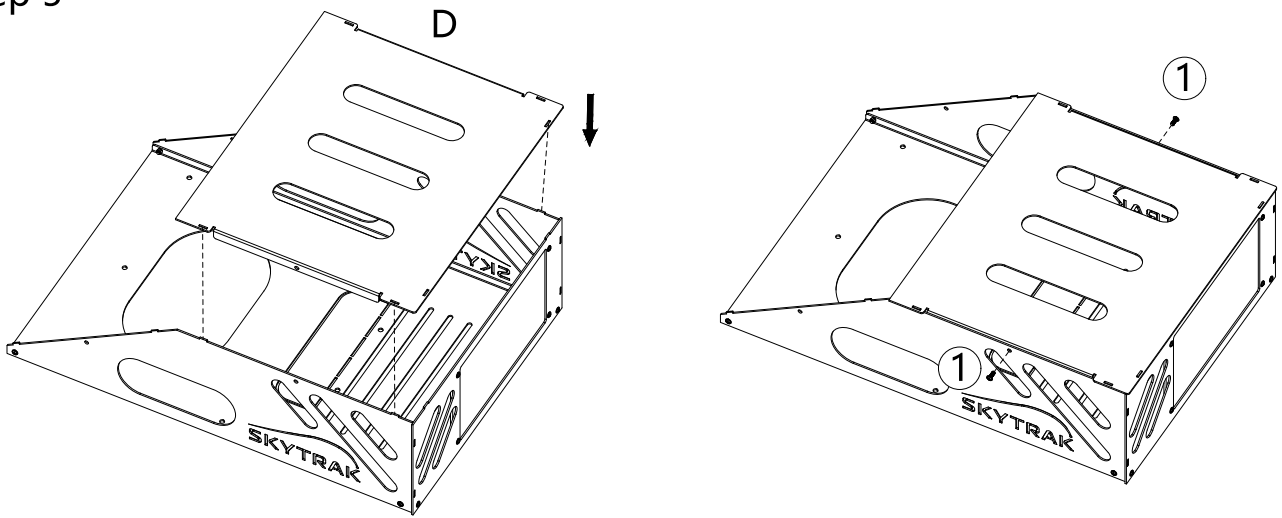
Step 3



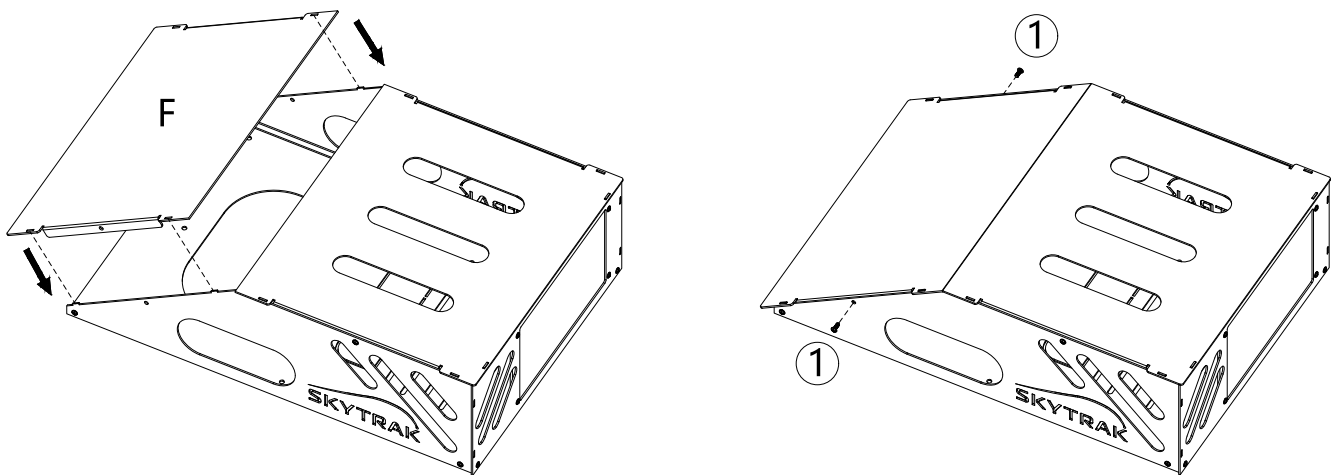
Step 4



Step 5



Step 6



Step 7

